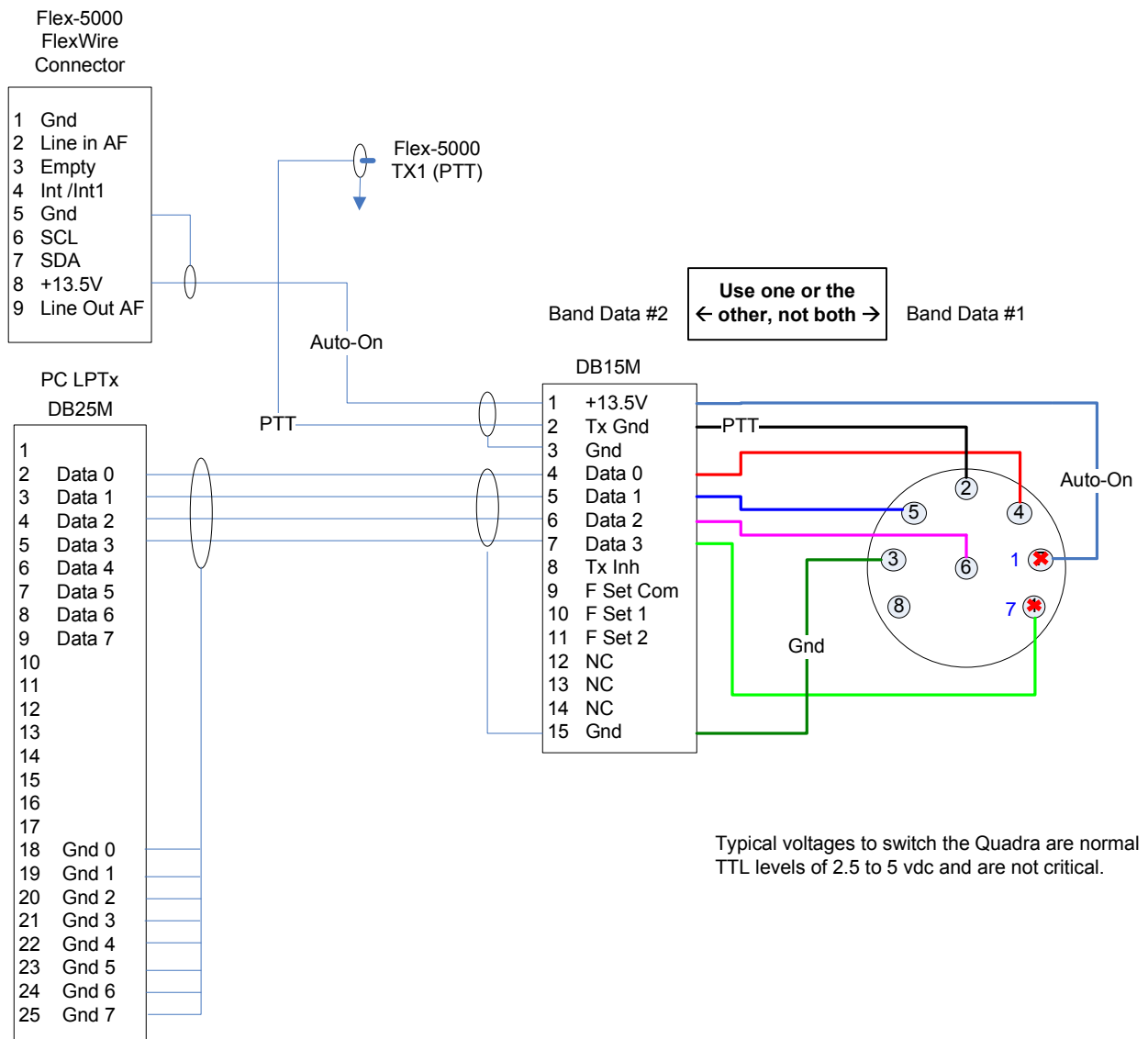


BCD Cable Pin-Out for Flex Data Decoder Utility

Yaesu Quadra Amplifier



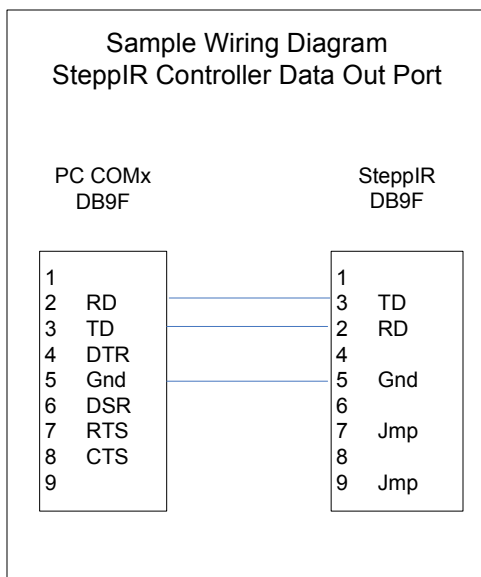
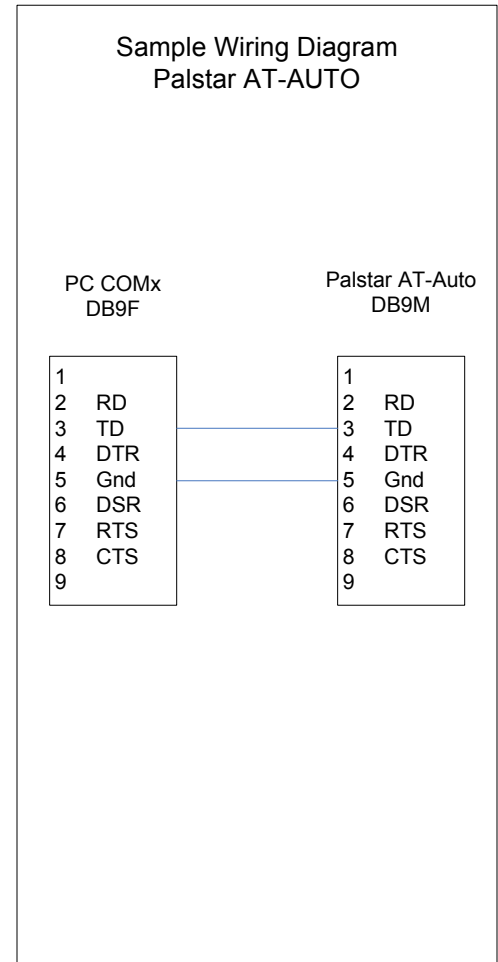
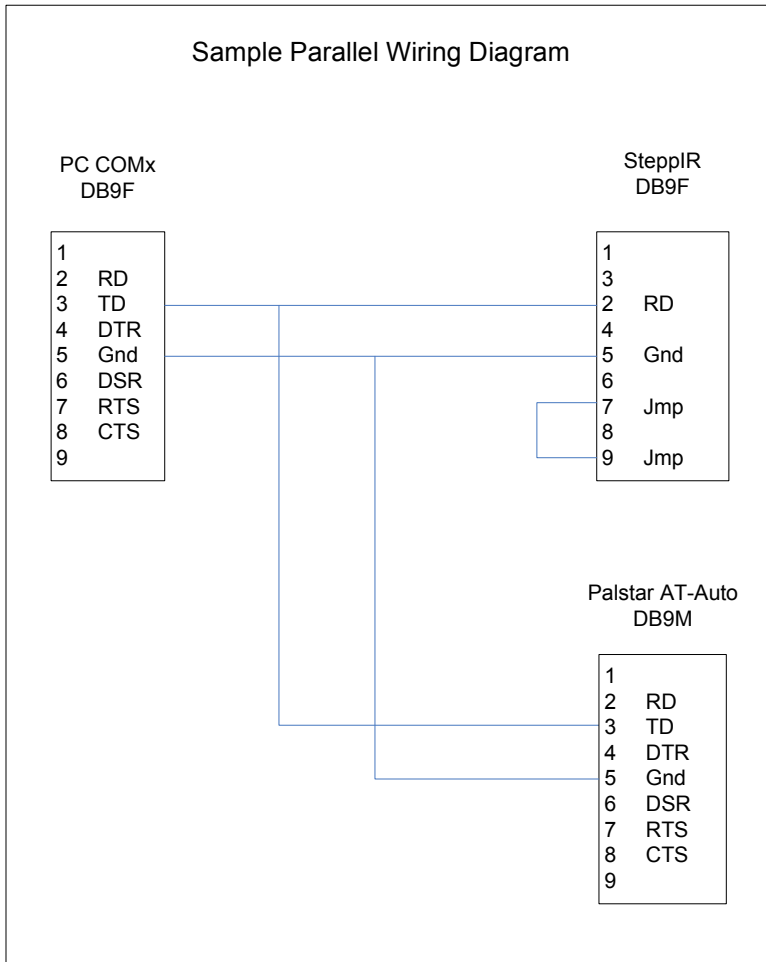
Please note that the connections for the Band Data 1 are **un-proven** but are thought to be correct. It is known that the Band Data 1 connection information from the Yaesu Quadra manual is **incorrect** in at least some instances. So proceed with caution until the Band Data 1 connection information is verified.

The Band Data 2 connection information has been proven to work.

© Steve Nance – K5FR
Nov., 2007

RS-232 Cable Pin-Out for Flex Data Decoder Utility

© Steve Nance – K5FR
Nov., 2007, 2008



Notes for SteppIR Data Out Port connection.

- Observe that pins 2 & 3 **ARE** switched between plugs.
- Make sure port communication is compatible between the pc and the SteppIR controller.
- Connect to the SteppIR controller Data Out port only (bottom in pix).

The photograph shows two DB9 connectors. The top connector is labeled 'Data In' and the bottom one is labeled 'Data Out'. The pins are arranged in a standard DB9 layout.