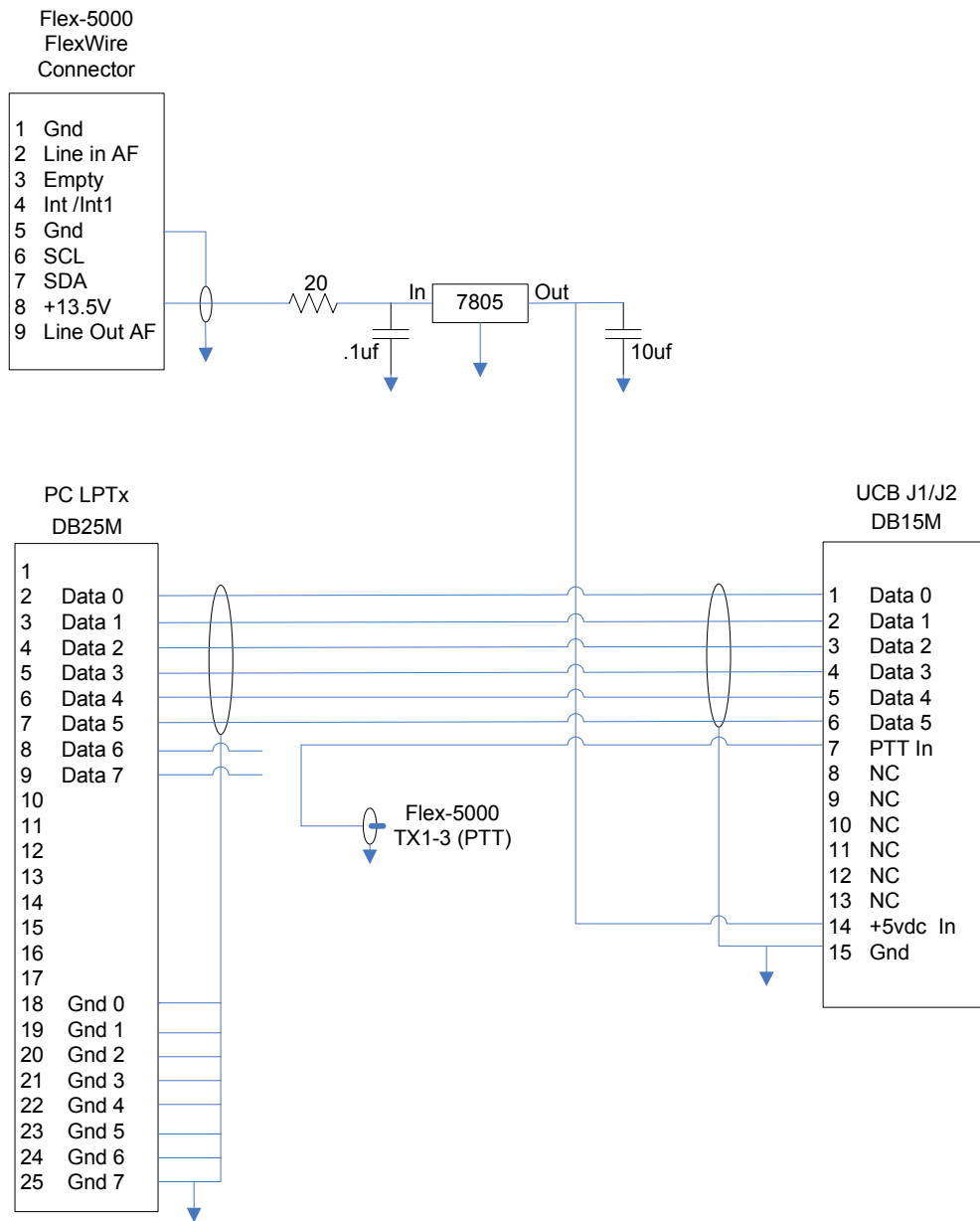


Cable Pin-Out for PC Parallel Port to UCB



Notes:

1. Shown with optional 7805 +5vdc regulator to supply the UCB Opto-Isolator anodes.
2. Max output current from Flex-5000 13.5vdc pin 8 = 1 amp.
3. Any Flex-5000 PTT jack TX1-3 may be used just be sure and set the PTT delay for the your setup.
4. Tie all grounds together for Flex-5000, PC and UCB.